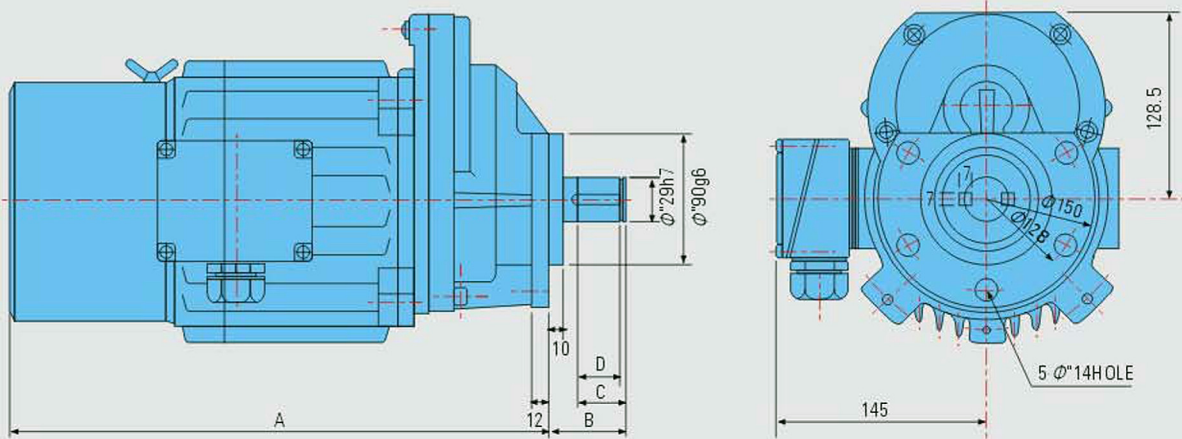


OTHER PRODUCT GEARED MOTOR

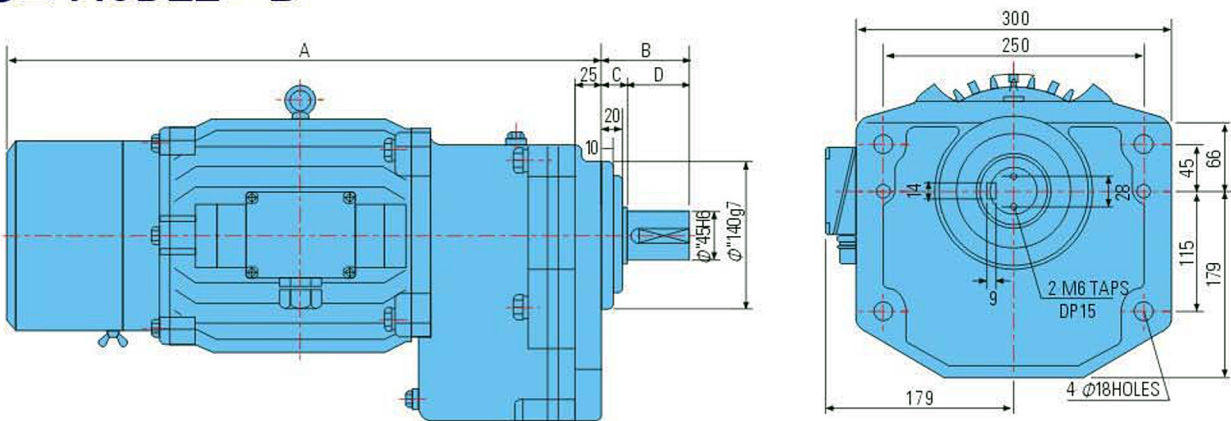
WIRE HOIST

Other Product

외형도 MODEL - A



외형도 MODEL - B



MODEL A

CAP(KW X P) DIMENSIONS	0.75X4 0.75X4	1.5X4 1.0X6	1.5X4 1.0X6
A	353	388	388
B	56.5	56.5	77.5
C	29	29	34
D	25	25	30
Reduce Ratio	1/12.12 1/16.3		

MODEL B

CAP(KW X P) DIMENSIONS	2.2 X 4 1.5 X 6
A	568
B	84
C	25
D	59
Reduce Ratio	1/20.26

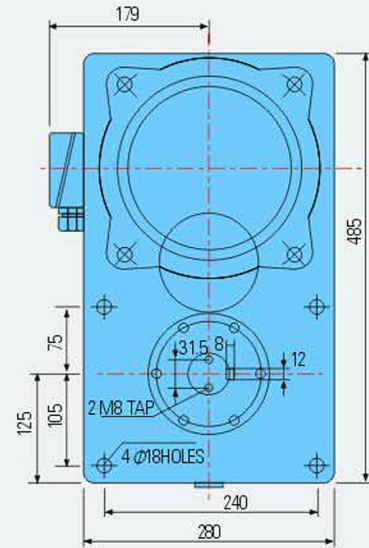
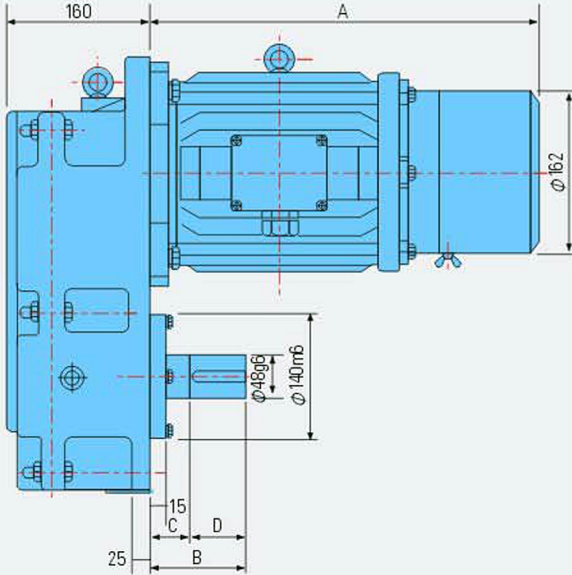
[정밀수치를 요하는 현장은 당사에 사전 확인바랍니다. If minute dimension is required on the side. It should be informed to us in advance.

OTHER PRODUCT GEARED MOTOR

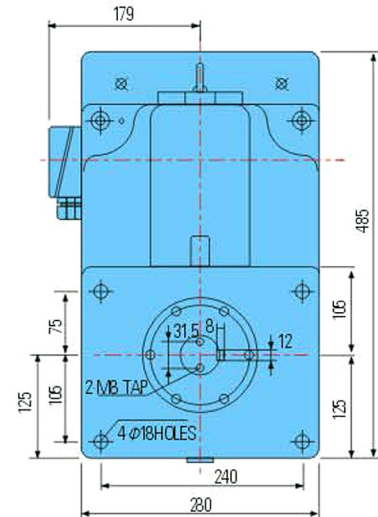
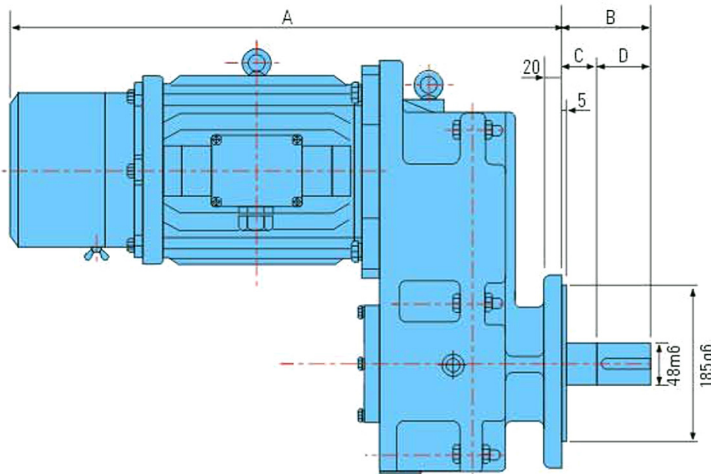
WIRE HOIST

Other Product

외형도 MODEL - C GANTRY CRANE 용



외형도 MODEL - D OVER HEAD CRANE 용



MODEL C

CAP(KW X P) DIMENSIONS	3.7 X 4 2.2 X 6
A	435
B	105
C	41
D	64
Reduce Ratio	1/22

MODEL D

CAP(KW X P) DIMENSIONS	3.7 X 4 2.2 X 6
A	655
B	105
C	41
D	64
Reduce Ratio	1/22

[정밀수치를 요하는 현장은 당시에 사전 확인바랍니다. If minute dimension is required on the side. It should be informed to us in advance.